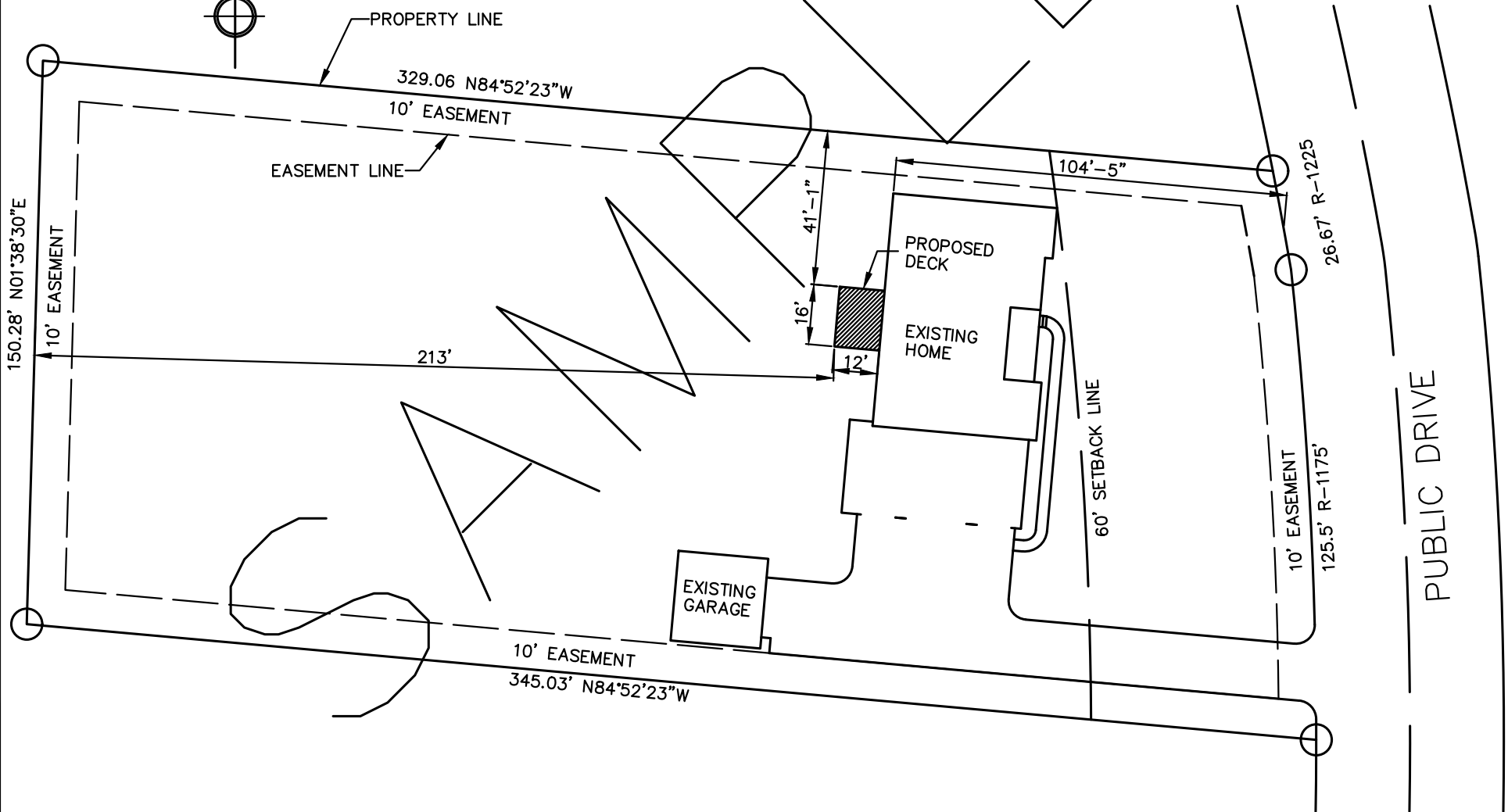


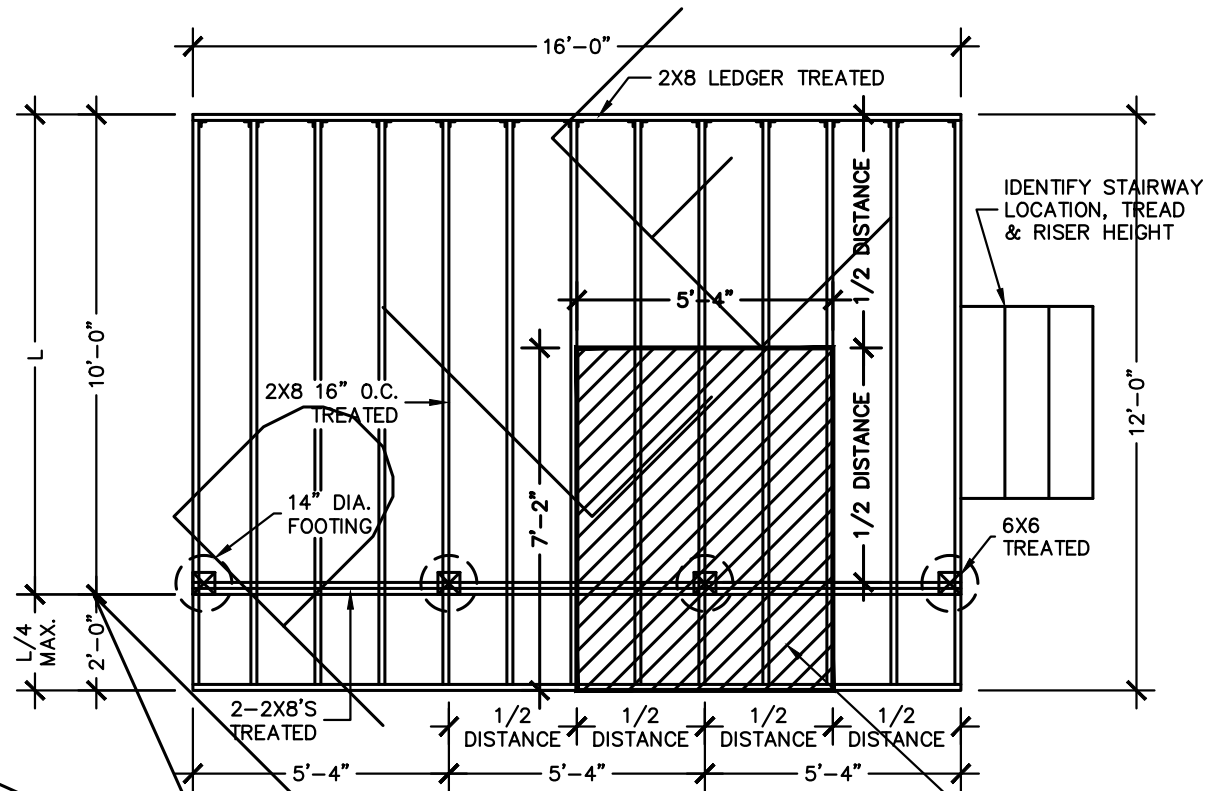


PARCEL # 000000000000000000
SUBDIVISION: PUBLIC SUBDIVISION
LOT # 000
ADDRESS: 351 PUBLIC DRIVE

SHEET INDEX:	
SHEET 1	PLOT PLAN
SHEET 2	FRAMING PLAN
SHEET 3	CROSS SECTION



OWNER: JOHN Q. PUBLIC 351 PUBLIC DR. DAYTON, OHIO 45449	DRAWN BY: DOE DRAFTING SERVICE JOHN DOE, 451 MAIN STREET DAYTON, OHIO 45459 PH. (937) 000-0000	PROJECT: DECK	DRAWING: PLOT PLAN	DATE: 00/00/00	SCALE 1" = 40'	SHEET NO. 1 of 4
------------------------------------------------------------------	---------------------------------------------------------------------------------------------------------	---------------	-----------------------	-------------------	-------------------	---------------------



STAIRWAY NOTES:

1. 9" MINIMUM TREAD, 8 1/4" MAXIMUM RISE
2. 6'-8" MINIMUM HEADROOM.
3. 3'-0" MINIMUM WIDTH.
4. HANDRAILS AND HANDRAIL/GUARDRAIL COMBINATIONS MEASURED 34" TO 38" VERTICALLY ABOVE NOSING.
5. HANDRAIL GRIP SIZE PER 311.7.7.3 (NO 2X4 OR 2X6 HANDRAILS)
6. GUARDRAIL 36" HIGH MINIMUM. A 4" SPHERE CANNOT PENETRATE INTERMEDIATE RAILS OR OPEN TREADS.

EXCERPT FROM RCO TABLE 507.3.1 FOR 2000(psf)

DECK FOOTING TRIBUTARY AREA IN SQ. FT.	EXTERIOR DECK FOOTING SIZE IN INCHES.		
	DIAMETER	SQUARE	MIN. THICKNESS
20	14	12X12	6
40	14	12X12	6
60	17	15X15	6
80	19	17X17	6
100	21	19X19	6
120	23	21X21	7
140	25	22X22	8
160	27	24X24	9

EXAMPLE

OWNER:
JOHN Q. PUBLIC
351 PUBLIC DRIVE
DAYTON, OHIO 45449

DRAWN BY: DOE DRAFTING SERVICE
JOHN DOE, 451 MAIN STREET
DAYTON, OHIO 45459
PH. (937) 000-0000

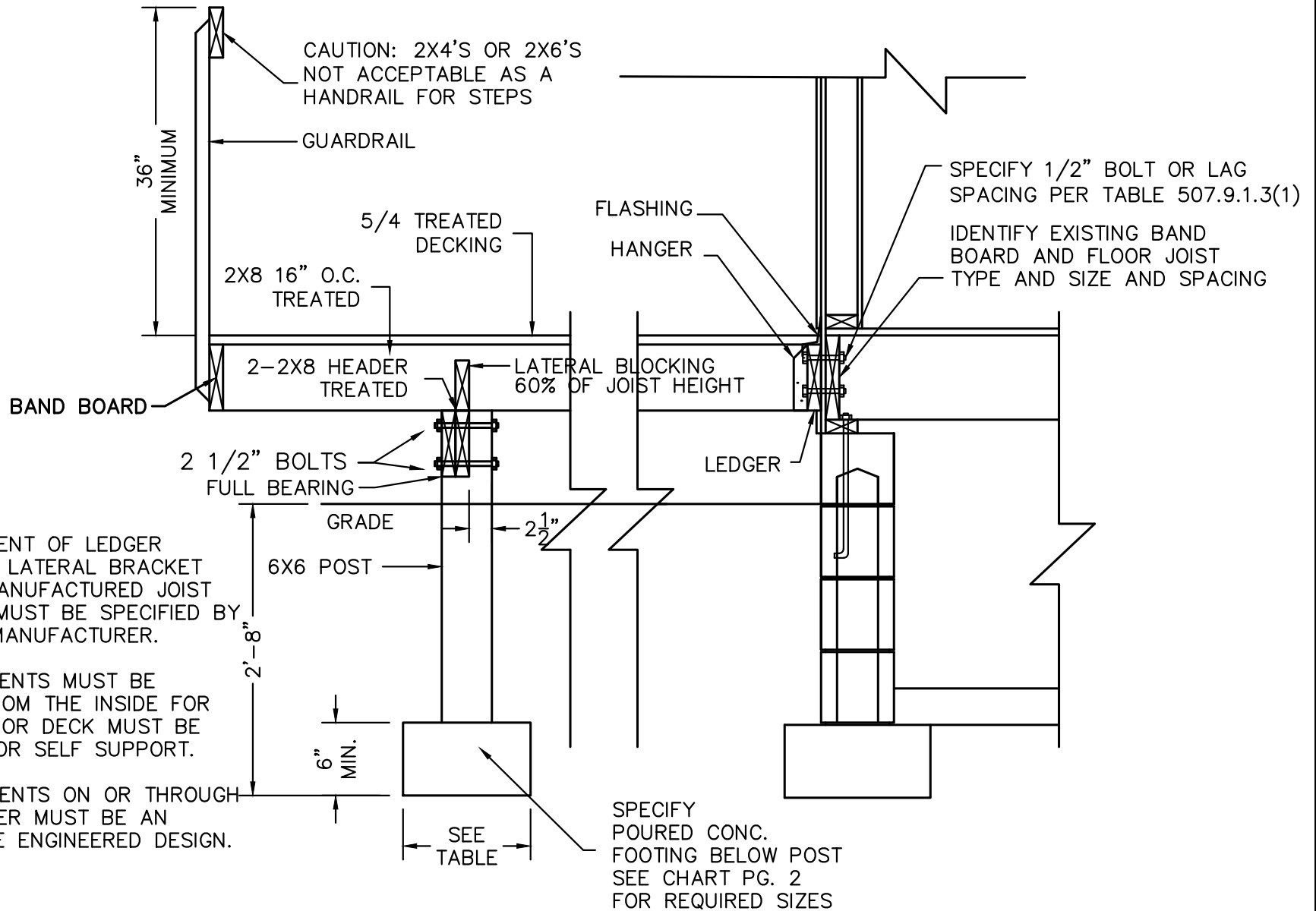
PROJECT: DECK

DRAWING:
FRAMING PLAN

DATE:
00/00/0000

SCALE
1/4" = 1'

SHEET NO.
2 of 4

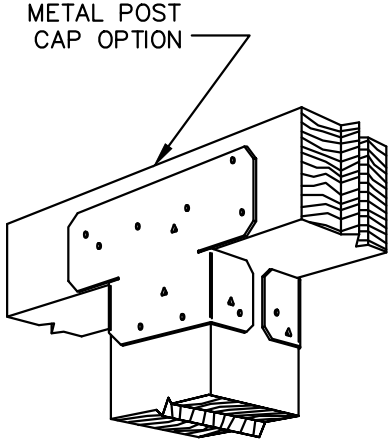


- NOTES:
1. ATTACHMENT OF LEDGER BOARD AND LATERAL BRACKET FOR PRE-MANUFACTURED JOIST AND BAND MUST BE SPECIFIED BY THE JOIST MANUFACTURER.
 2. ATTACHMENTS MUST BE EXPOSED FROM THE INSIDE FOR INSPECTION OR DECK MUST BE DESIGNED FOR SELF SUPPORT.
 3. ATTACHMENTS ON OR THROUGH BRICK VENEER MUST BE AN ALTERNATIVE ENGINEERED DESIGN.

<p>OWNER: JOHN Q. PUBLIC 351 PUBLIC DRIVE DAYTON, OHIO 45449</p>	<p>DRAWN BY: DOE DRAFTING SERVICE JOHN DOE, 451 MAIN STREET DAYTON, OHIO 45459 PH. (937) 000-0000</p>	<p>PROJECT: DECK</p>	<p>DRAWING: CROSS SECTION</p>	<p>DATE: 00/00/0000</p>	<p>SCALE 3/4"=1'</p>	<p>SHEET NO. 3 of 4</p>
------------------------------------------------------------------------------	-------------------------------------------------------------------------------------------------------------------	----------------------	-----------------------------------	-----------------------------	--------------------------	-----------------------------

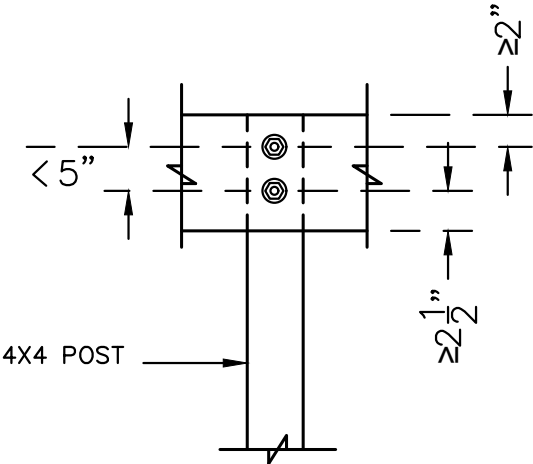
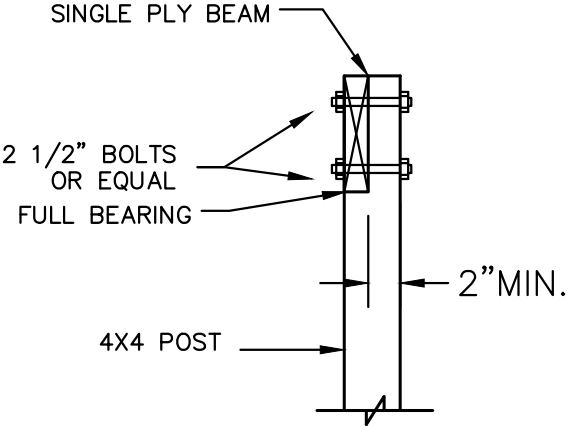
BASED UPON FIGURE 507.5.1(2)
2019 RCO

OPTION 3

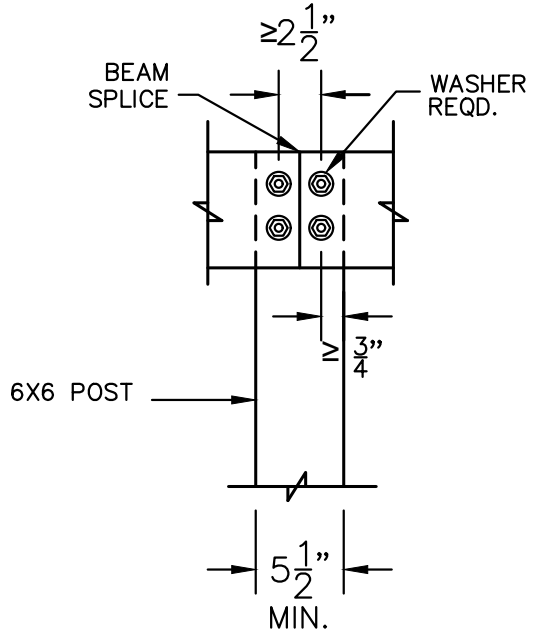
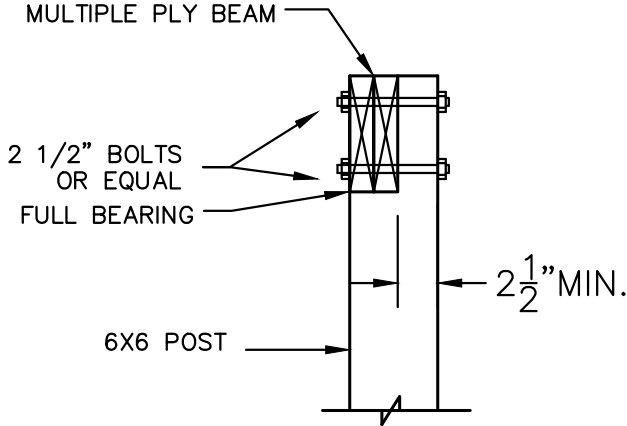


NOTE: THE POST MUST BE 5 1/2" WIDE TO SUPPORT A BEAM SPLICE ON ALL OPTIONS

OPTION 2



OPTION 1



<p>OWNER: JOHN Q. PUBLIC 351 PUBLIC DRIVE DAYTON, OHIO 45449</p>	<p>DRAWN BY: DOE DRAFTING SERVICE JOHN DOE, 451 MAIN STREET DAYTON, OHIO 45459 PH. (937) 000-0000</p>	<p>PROJECT: DECK</p>	<p>DRAWING: CROSS SECTION2</p>	<p>DATE: 00/00/0000</p>	<p>SCALE 1"=1'</p>	<p>SHEET NO. 4 of 4</p>
------------------------------------------------------------------------------	-------------------------------------------------------------------------------------------------------------------	----------------------	------------------------------------	-----------------------------	------------------------	-----------------------------